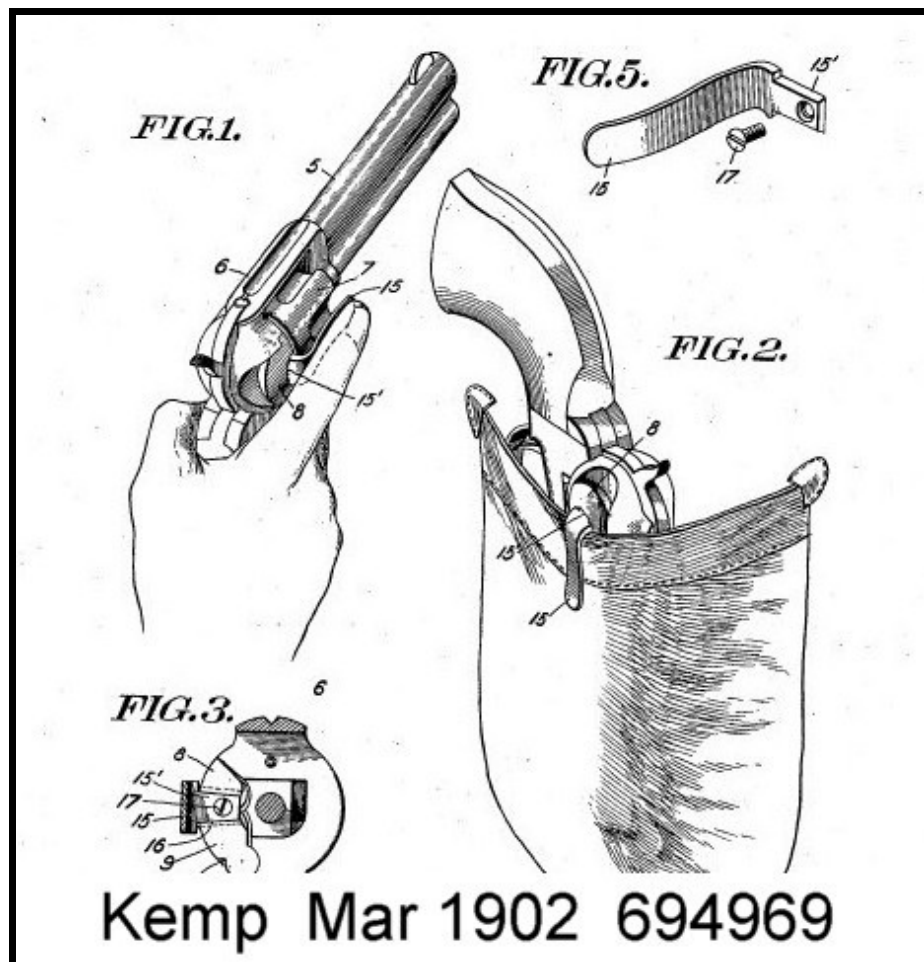
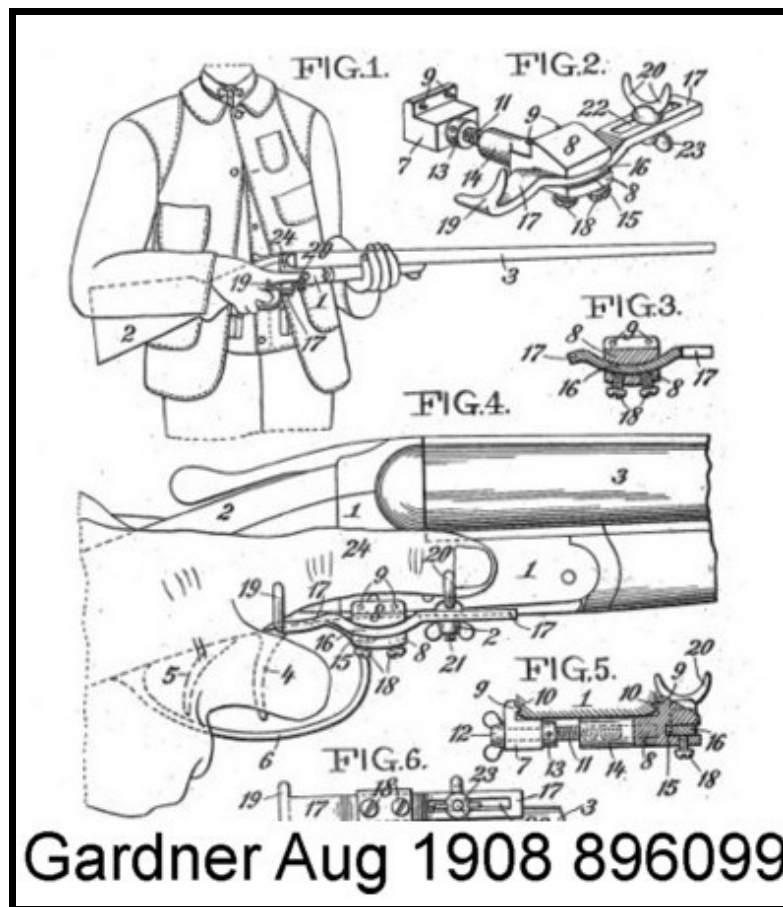


U.S. PATENTS ACKNOWLEDGE AND EMPLOY P&S

Here are some patents that acknowledge and employ P&S. They are dated from 1902 to 1996, and answer the criticism that no one has ever heard of it.



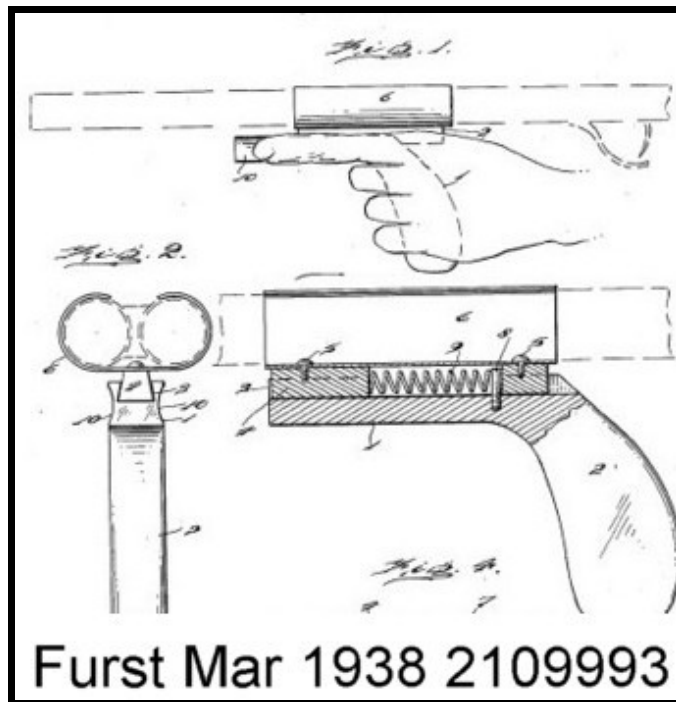


Gardner Aug 1908 896099

This invention relates to a device adapted for attachment to fire-arms of various kinds, more especially to shot-guns or hunting rifles, and has for its object to facilitate quick and accurate pointing of the weapon without being obliged to adjust the gun-stock to the shoulder for aiming at birds just rising from the bush or in flight, or at other game.

The invention is based largely upon the fact that the conscious or sub-conscious faculties intuitively enable men to point the index finger directly and accurately at any visible object without bringing the outstretched finger into alinement with or between the eye and the object.

The invention comprises certain details of construction of the gun-pointing attachment whereby it may be quickly and easily applied to any ordinary shot-gun or hunting rifle and the finger rests then may be primarily adjusted longitudinally, vertically and laterally to accommodate peculiarities of form and size of the index finger of the huntsman's hand. He thus will be able to easily and quickly pull the gun trigger or triggers by the second or third fingers while the index finger is outstretched alongside the gun lock or stock, and is intuitively pointed toward the game, whereby firing may be effected quickly and accurately and without the delays incident to bringing the gun-stock to the shoulder. When once thus primarily ad-



Furst Mar 1938 2109993

The mounting 6 is slid on to the barrel of the gun with which it is to be used.

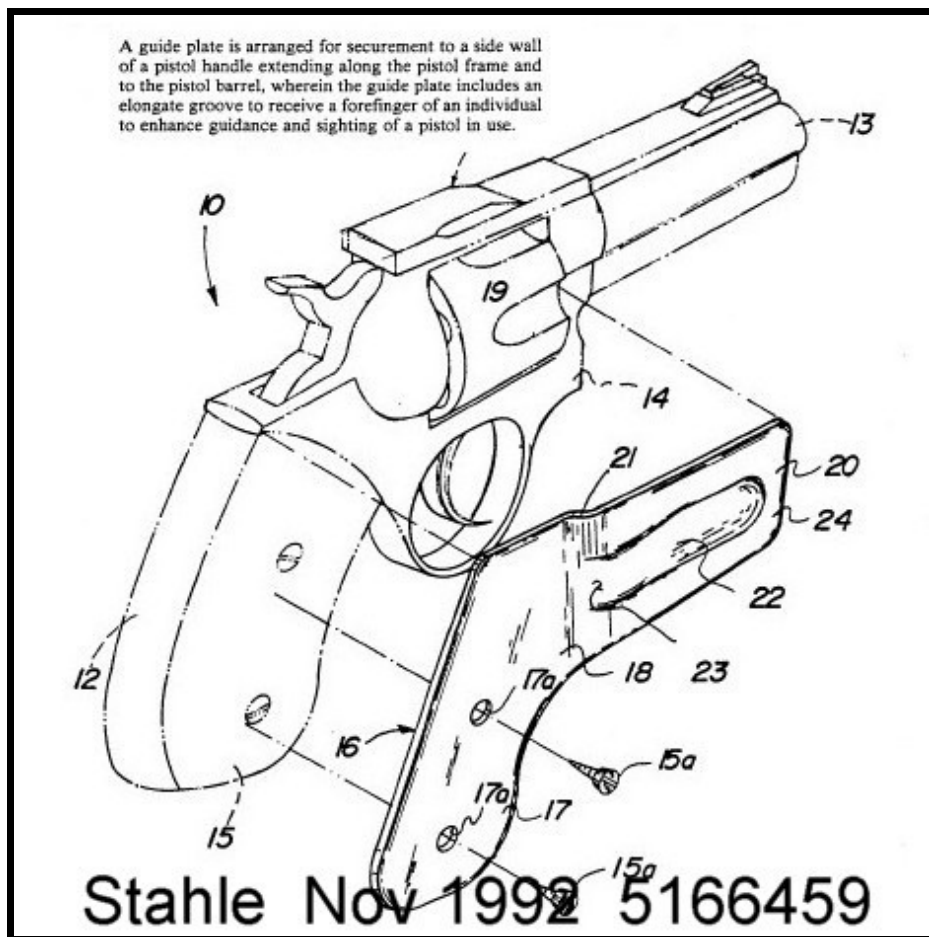
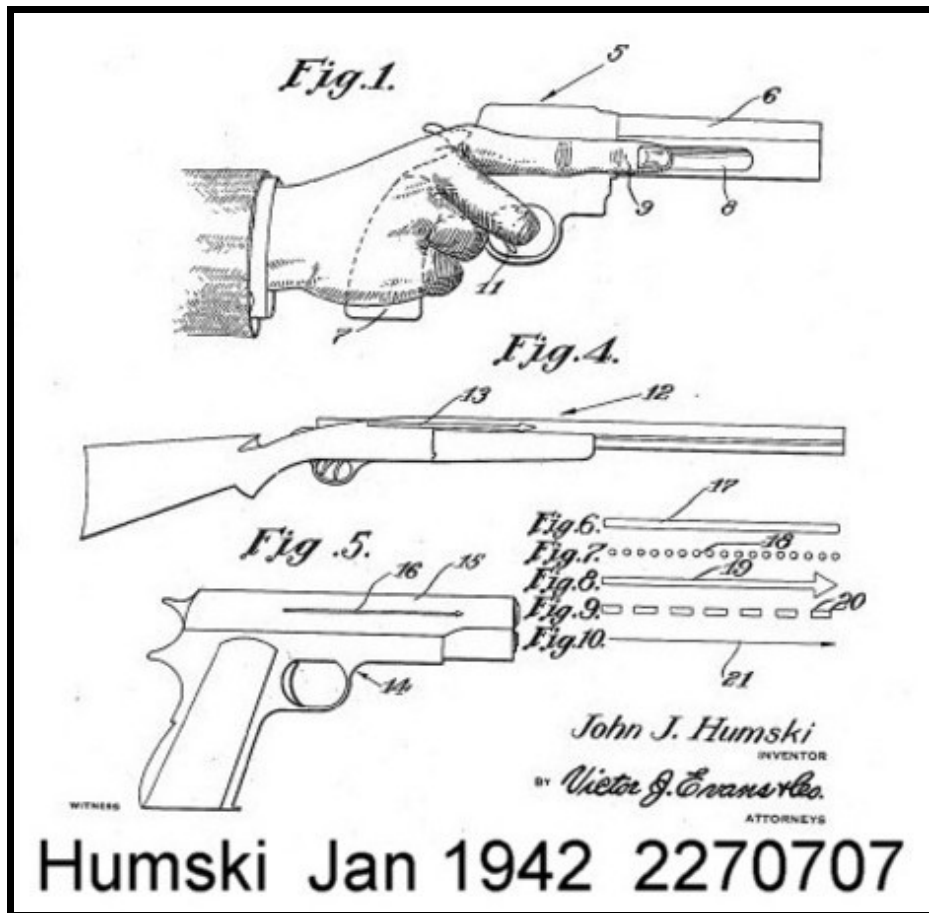
Assuming now that the gun is to be aimed at a target or game, the shooter raises the gun in the usual manner to his shoulder, and as his left hand, for example, is raised to level the gun he points at the target or game with his finger, instinctively moving his finger forwardly as in the normal act of pointing. This forward pointing movement of the finger is permitted due to the resilient manner in which the body portion of the gun sight is connected with the mounting 6 in fixed position on the gun barrel.

I have found in practice that a greater degree of accuracy in shooting game can be obtained if my novel finger sight is employed.

When one points his index finger he can forget the aiming of the gun, and it is only necessary to look at the object.

The brain guides movement of the body in picking up or pointing at an object, so that when the index finger is pointed the object is automatically covered.

Due to the scattering of the shot, the game will be covered, even though there is a slight variation in the aiming as the finger is not on the median line of the barrel.



End.